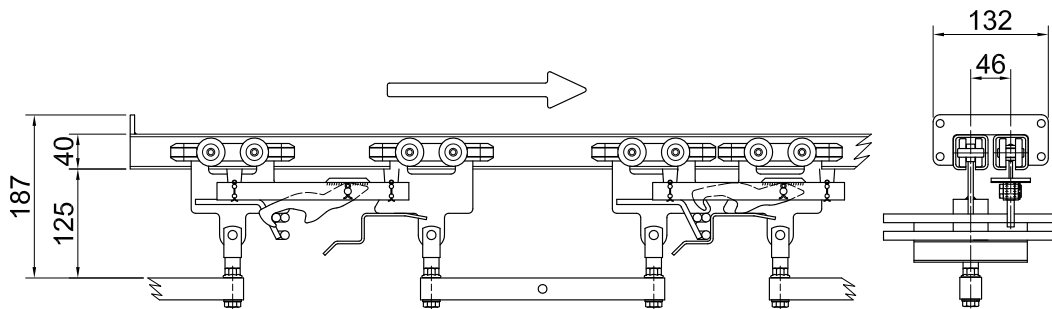




Hjort-conveyor overhead chain conveyor series 2700 is a system for light loads where extensive versatility is required. The system permits buffering and addressable carriers. Effective and ergonomically correct loading and unloading using drop sections.

Max load 75 kg



The cardan chain used on series 2700 is identical to the cardan chain used on series 1200. The trolleys have ball-bearing mounted guide and support rollers.



Track

Order number
270010

Technical specifications

$$I_x = 16.4 \times 10^4 \text{ mm}^4$$

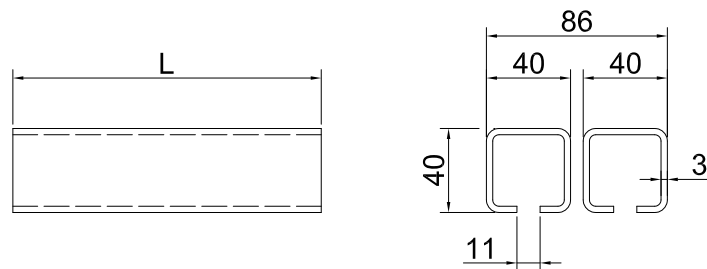
$$W_x = 7.6 \times 10^3 \text{ mm}^3$$

$$I_y = 19.2 \times 10^4 \text{ mm}^4$$

$$W_y = 9.6 \times 10^3 \text{ mm}^3$$

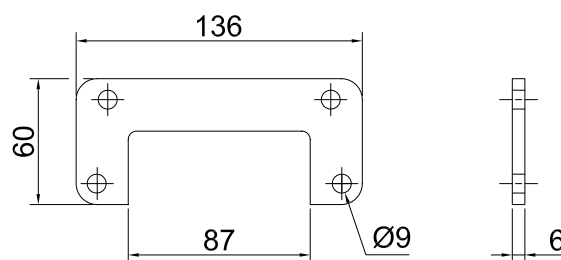
$$A = 2 \times 39 \text{ mm}^2$$

$$\text{Weight} = 6.3 \text{ kg/m}$$

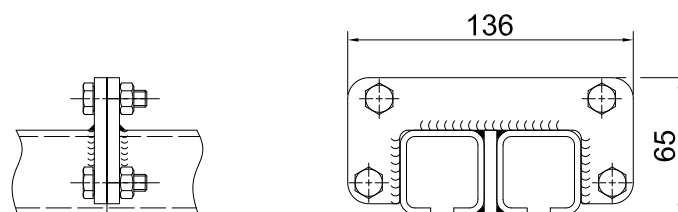


Flange

Order number
270600



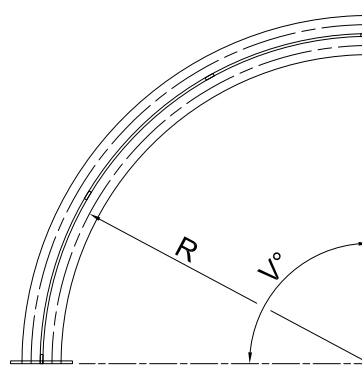
Flange joint



Horizontal curve 90°

Order number
270060 - R 500
270070 - R 700

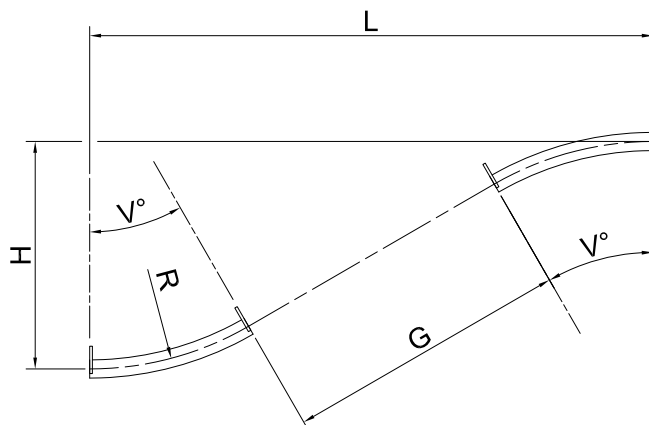
Other angles available on order.



Vertical curve 45°

Order number
270100 - R 700 up
270110 - R 700 down

Other angles available on order.

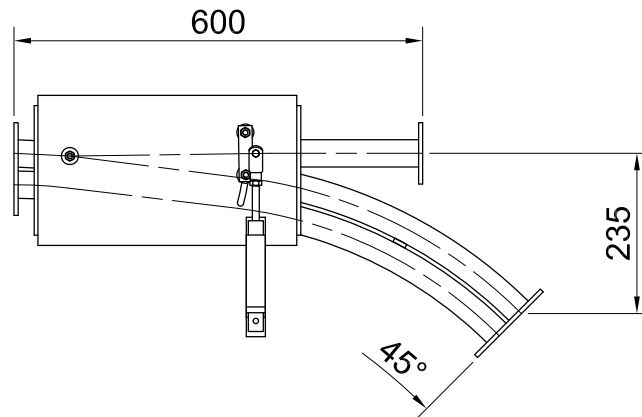


Symbol



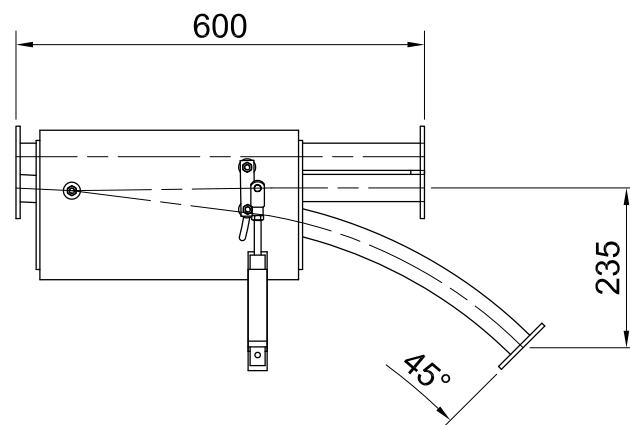
C-switch 45°

Order number
270312 - Left
270314 - Right



I-switch 45°

Order number
270316 - Left
270318 - Right



K-switch 45°

Order number
270300 - Left
270310 - Right

