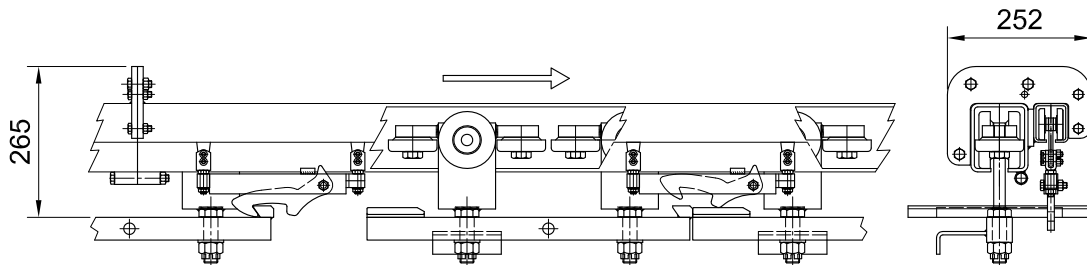


Hjort-conveyor overhead chain conveyor series 2400 is a system for heavy loads where extensive versatility is required. The system permits buffering and addressable carriers. Effective and ergonomically correct loading and unloading using drop sections.

Max load 1200 kg



The cardan chain used on series 2400 is identical to the cardan chain used on series 1000. As standard the trolleys are supplied with sealed bearings. Guide and support rollers are also available in designs for an operating temperature of 250°C.



Track

Order number
240010

Technical specifications

$$I_x = 480 \times 10^4 \text{ mm}^4$$

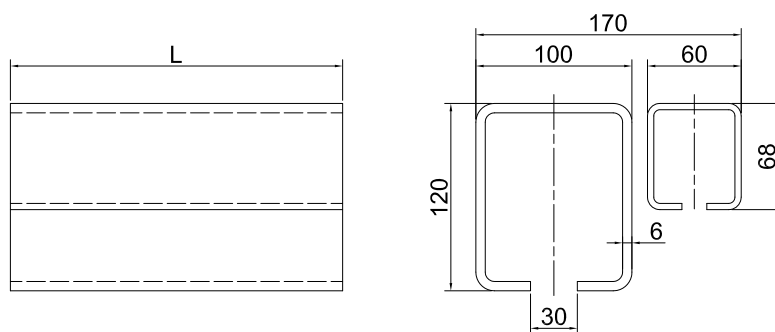
$$W_x = 80 \times 10^3 \text{ mm}^3$$

$$I_y = 416 \times 10^4 \text{ mm}^4$$

$$W_y = 90 \times 10^3 \text{ mm}^3$$

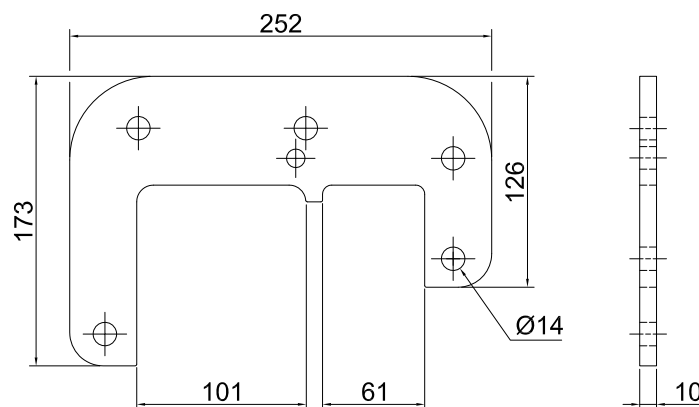
$$A = 3100 \text{ mm}^2$$

$$\text{Weight} = 24.2 \text{ kg/m}$$

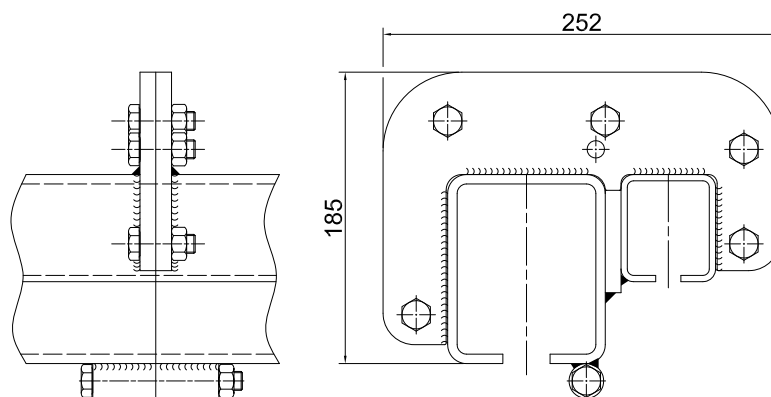


Flange

Order number
240600



Flange joint



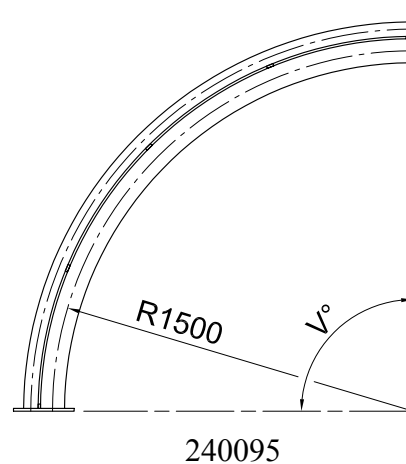
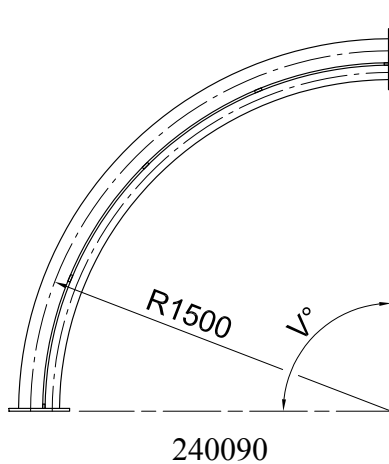
Horizontal curve 90°

Order number

240090 - R 1500 - Inner

240095 - R 1500 - Outer

Other angles available on order.



Track switches 45°

Order number

240300 - Left

240310 - Right

